

# Connection Diagram : MyLocoSound MR603b using F outputs

The MyLocoSound unit is powered from the same battery and on/off switch as the receiver. Don't forget to fit a resettable fuse in the battery positive lead. The receiver motor output is connected to the MyLocoSound 'M' terminals so that the sound effect is modulated by the motor/loco speed (e.g. chuff rate for steam locos and engine revs for diesel locos).

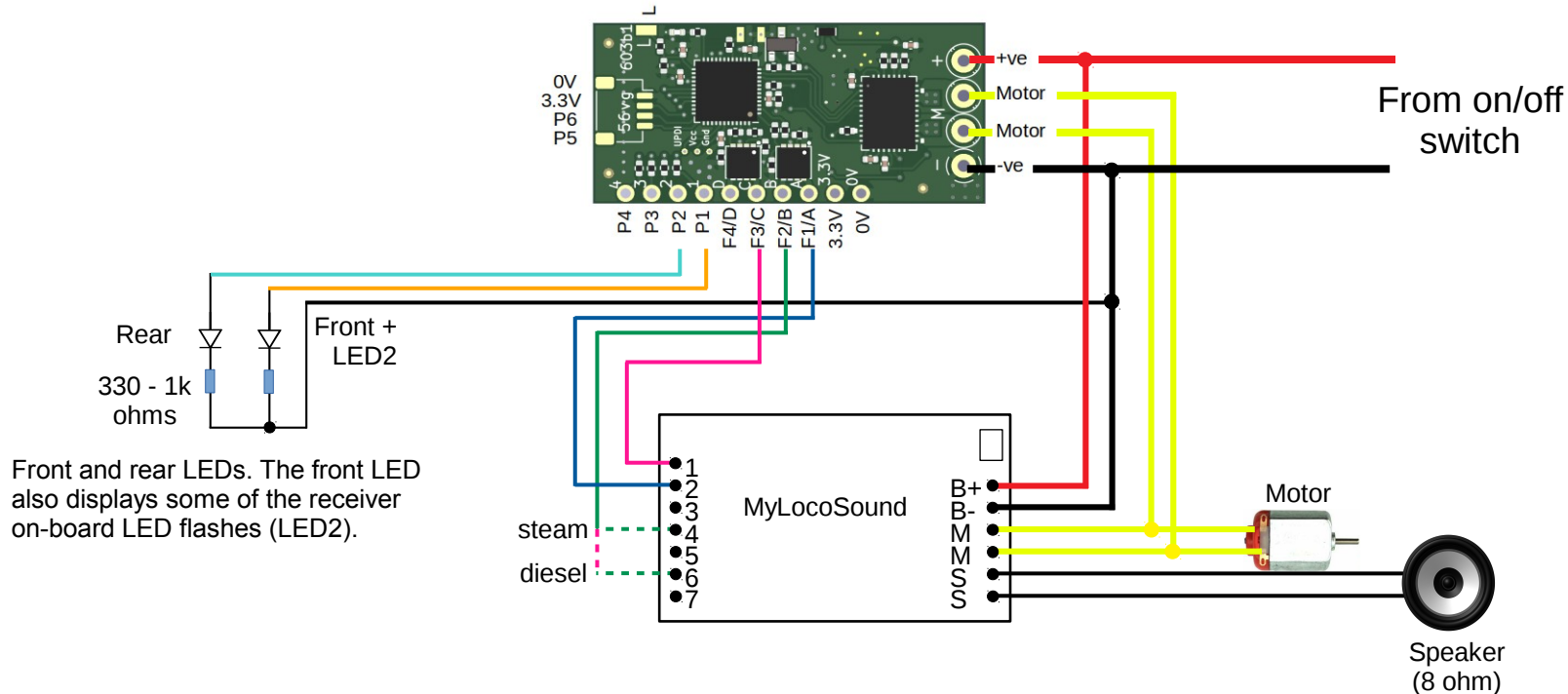
Receiver F outputs are used to trigger sounds as these are switched to negative when on. If more than 4 sound triggers are required, P outputs may be used and require a 4k7 ohms series resistor to adapt the different max voltages at each side of the connection – 5V on the MyLocoSound trigger input and 3.3V on the P output.

Receiver configuration 2 (Tx22) and 3 (TX20) contain output settings for sound triggers:

Output	Micron Wiring	Configuration 2 (Tx22)	Configuration 3 (Tx20)	Example trigger
F1/A	blue	S1 toggle switch up (ch3 high)	F1 pressed (ch2 low)	engine start/stop (diesel), safety valve (steam)
F2/B	green	S1 toggle switch down (ch3 low)	F2 pressed (ch4 low)	2 <sup>nd</sup> horn (diesel), bell (steam)
F3/C	pink	Bind button pressed (ch5 low)	Bind button pressed (ch5 low)	whistle or horn

Other outputs will require programming to configure an action suitable for triggering the sound card. Refer to the MyLocoSound manual for details of all 7 trigger inputs for your variant of the sound card. Refer to the MR603 programming table for details of how to configure a F or P output

The receiver connection layout is as viewed from the bottom of the PCB.



www.micronradiocontrol.co.uk  
 sales@micronradiocontrol.co.uk  
 +44 (0)1653 696008